

**DIMENSIONS ARE TO BE MEASURED TO SHELL WALL BEHIND WALL PANELS TYP.**

B. \_\_\_\_\_  
 C. \_\_\_\_\_  
 D. \_\_\_\_\_  
 H. \_\_\_\_\_

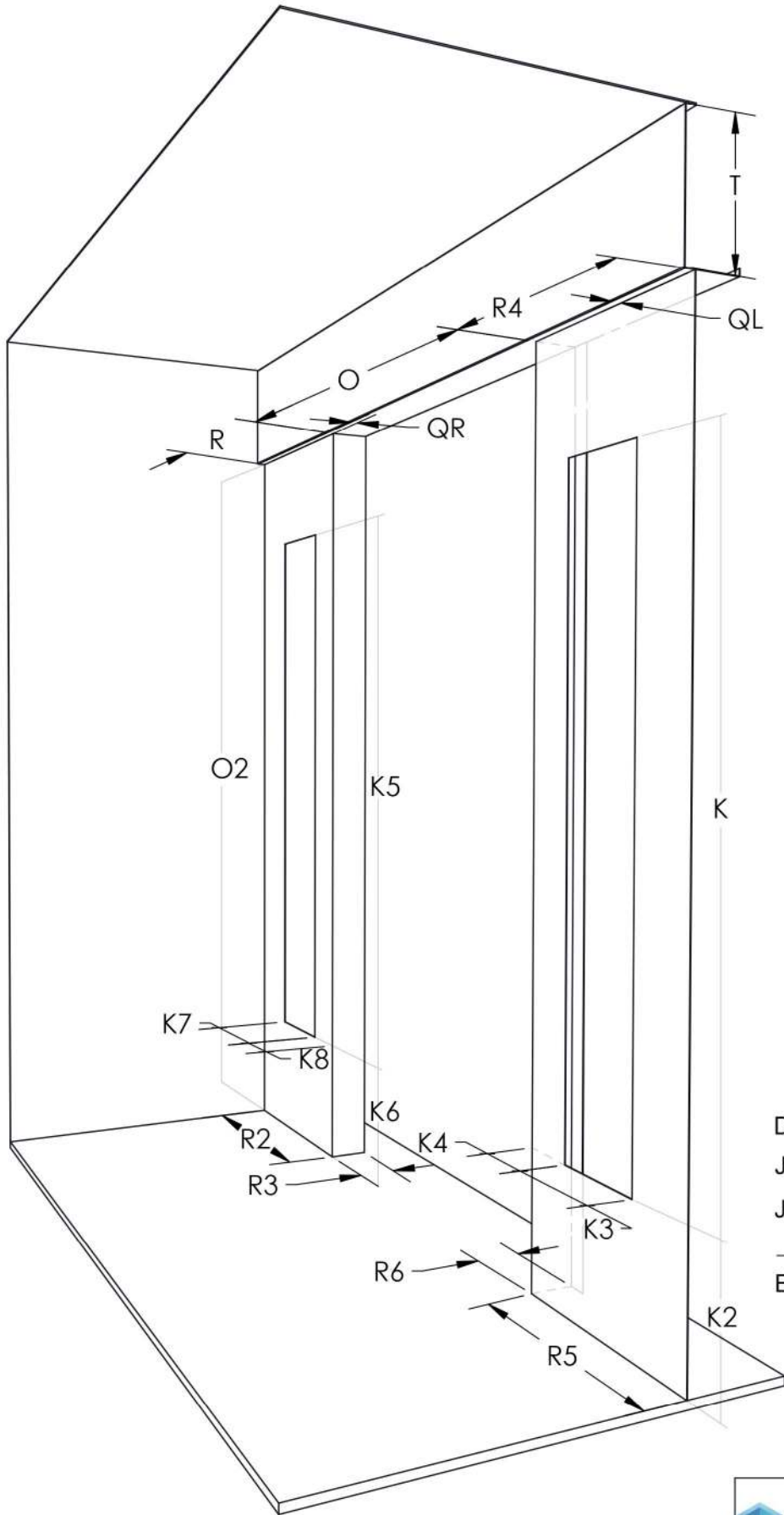
E1. \_\_\_\_\_  
 E2. \_\_\_\_\_  
 E3. \_\_\_\_\_  
 E4. \_\_\_\_\_  
 E5. \_\_\_\_\_

Date \_\_\_\_\_  
 Job Name \_\_\_\_\_  
 Job Address \_\_\_\_\_

Elevator Name/number \_\_\_\_\_

	<b>G&amp;R ELEVATOR MFG., INC.</b> 2352 STATION PARKWAY ANDOVER, MN 55304 763-757-6177
	email: <a href="mailto:sales@gandrcustomcabs.com">sales@gandrcustomcabs.com</a>

**SURVEY SHEET SET FOR CENTER OPENING CAB**



- K. \_\_\_\_\_
- K2. \_\_\_\_\_
- K3. \_\_\_\_\_
- K4. \_\_\_\_\_
- K5. \_\_\_\_\_
- K6. \_\_\_\_\_
- K7. \_\_\_\_\_
- K8. \_\_\_\_\_
- O. \_\_\_\_\_
- O2. \_\_\_\_\_
- QL. \_\_\_\_\_
- QR. \_\_\_\_\_
- R. \_\_\_\_\_
- R2. \_\_\_\_\_
- R3. \_\_\_\_\_
- R4. \_\_\_\_\_
- R5. \_\_\_\_\_
- R6. \_\_\_\_\_
- T. \_\_\_\_\_

Date \_\_\_\_\_

Job Name \_\_\_\_\_

Job Address \_\_\_\_\_

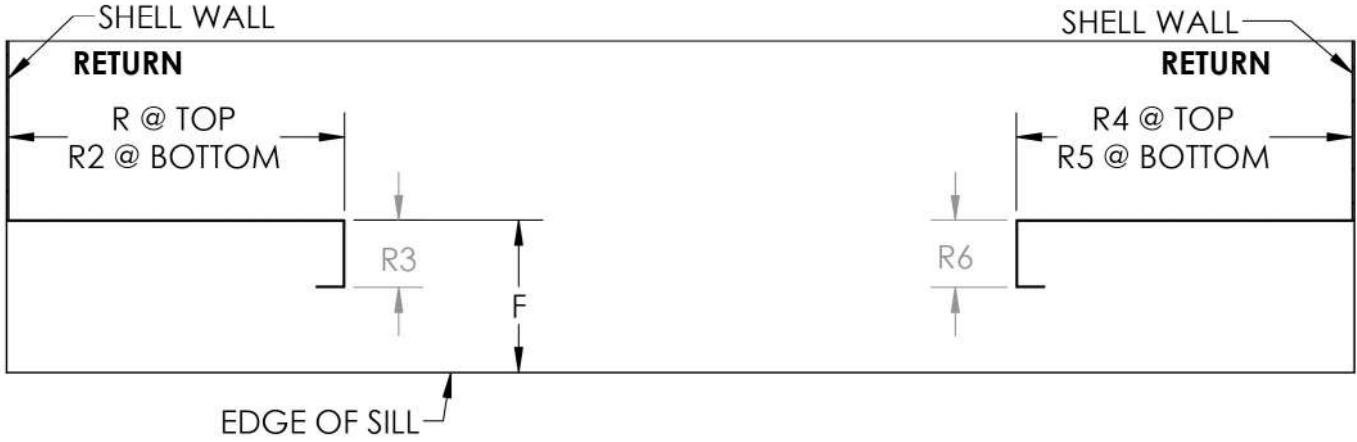
Elevator Name/number \_\_\_\_\_

	<b>G&amp;R ELEVATOR MFG., INC.</b> 2352 STATION PARKWAY ANDOVER, MN 55304 763-757-6177
	email: <a href="mailto:sales@gandrcustomcabs.com">sales@gandrcustomcabs.com</a>

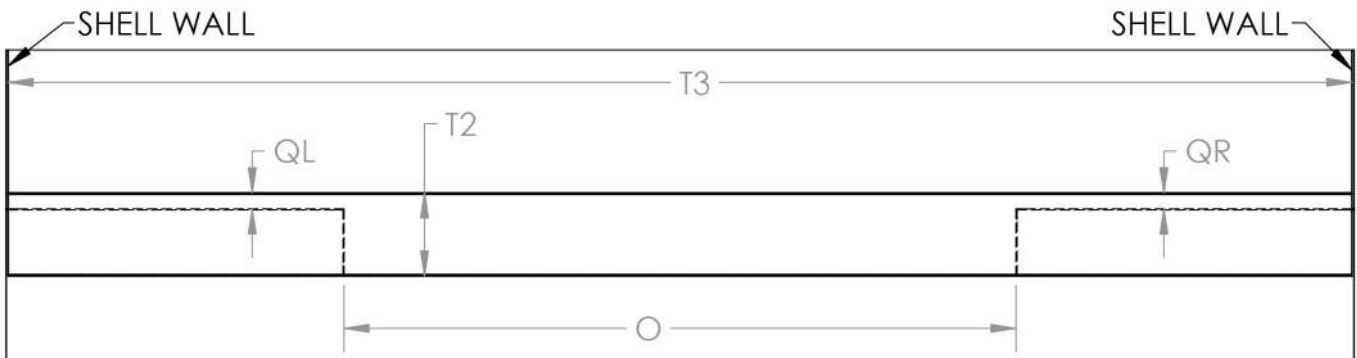
**SURVEY SHEET SET FOR CENTER OPENING CAB**

R. \_\_\_\_\_ R4. \_\_\_\_\_  
 R2. \_\_\_\_\_ R5. \_\_\_\_\_  
 R3. \_\_\_\_\_ R6. \_\_\_\_\_  
 F. \_\_\_\_\_


**DIMENSIONS ARE TO BE MEASURED TO SHELL WALL BEHIND WALL PANELS TYP.**



O. \_\_\_\_\_ T2. \_\_\_\_\_  
 QL. \_\_\_\_\_ T3. \_\_\_\_\_  
 QR. \_\_\_\_\_



**TRANSOM**

	<b>G&amp;R ELEVATOR MFG., INC.</b> 2352 STATION PARKWAY ANDOVER, MN 55304 763-757-6177
	email: <a href="mailto:sales@gandrcustomcabs.com">sales@gandrcustomcabs.com</a>

**SURVEY SHEET SET FOR CENTER OPENING CAB**